



**SERIES VRG140**

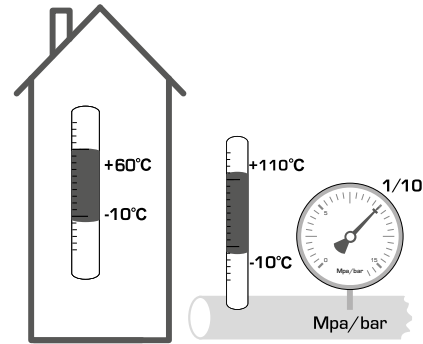


Mtrl.nr: 9814 02 70 • Ritn.nr: 7046 utg. C • Rev. 1605

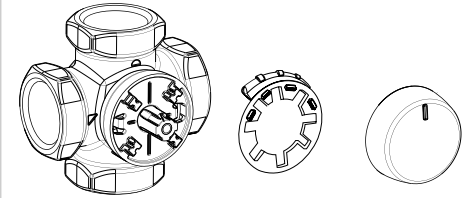


Series VRG141  
Series VRG142  
Series VRG143  
CE

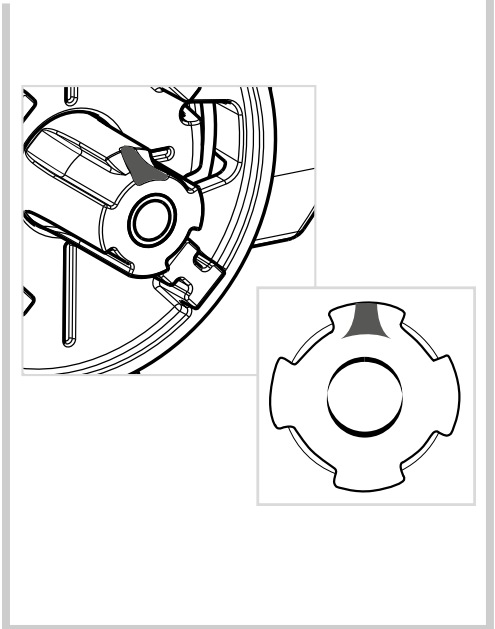
PED 2014/68/EU, article 4.3



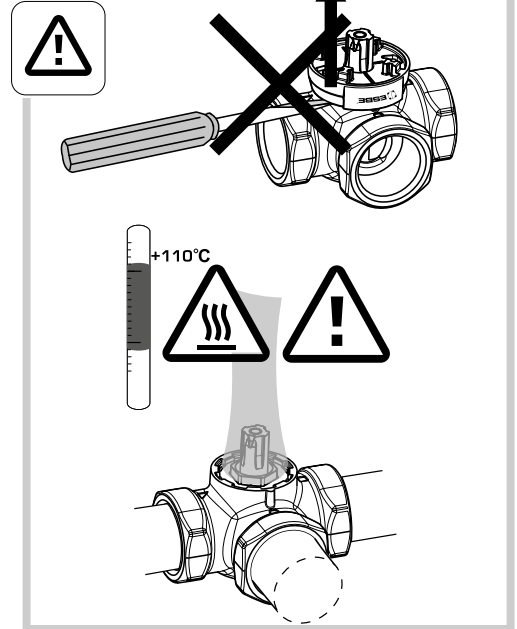
**1**



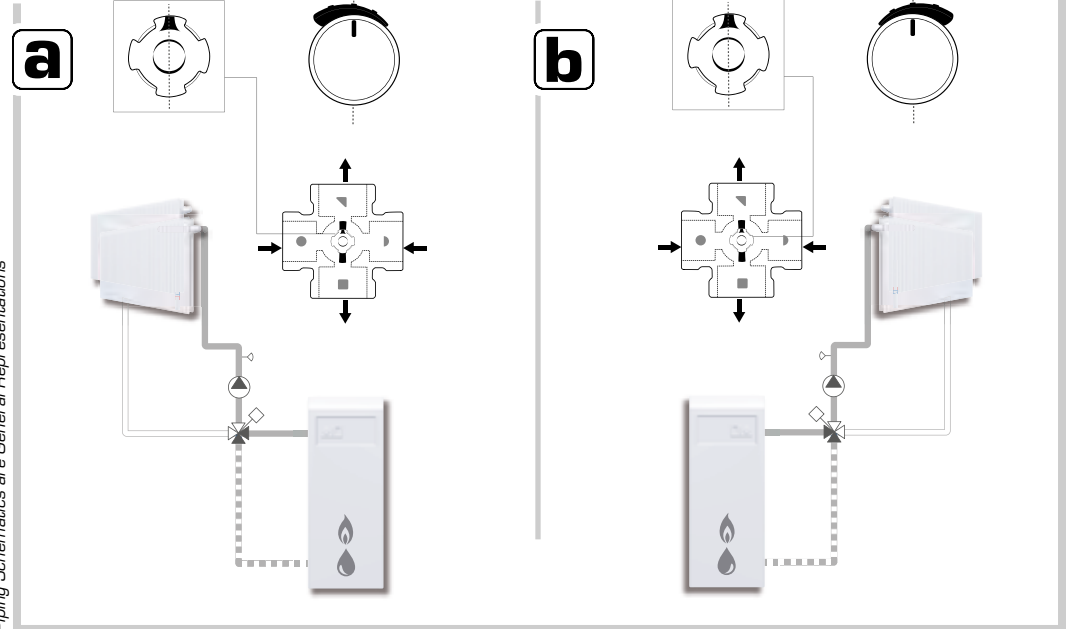
**i**



**i**



**2**



Piping Schematics are General Representations



[http://www.esbe.eu/global/en/  
products/rotary-valves](http://www.esbe.eu/global/en/products/rotary-valves)